

Operating Range

Temperature: -65°C to 125°C

Insulation Resistance: 1000 Megaohms Min.

Dielectric Withstanding Voltage: 1000 VRMS at Sea Level 500 VRMS at 80,000 ft.

Vibration: MIL-STD-202, Method 204 Test Condition G

Shock: MIL-STD-202, Method 213 Test Condition C

Materials

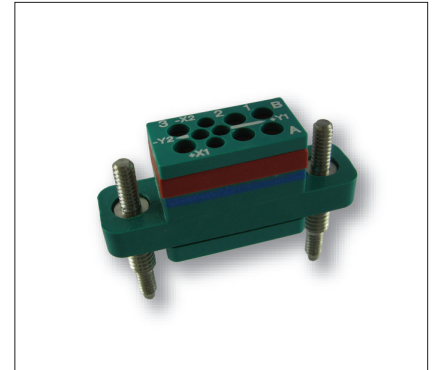
Socket Body: Polyetherimide per ASTM-D5205

Grommet: Silicone Rubber per A-A-59588

Hardware: Stainless Steel or Steel w/Cadmium Chromate Finish

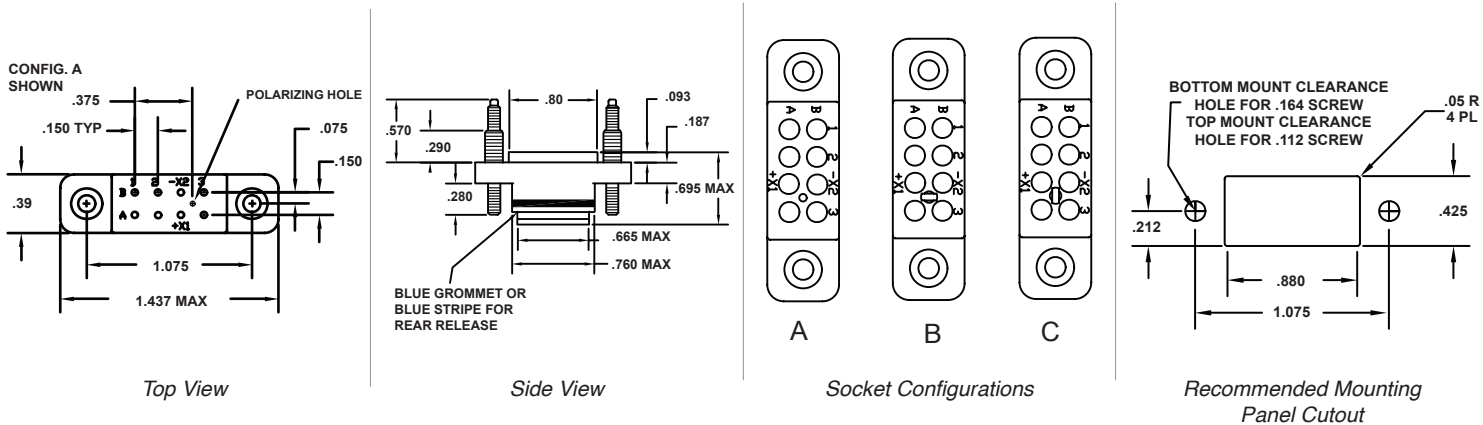
Contact Retainers: Stainless Steel

Socket Contacts: Stainless Steel, Hard Gold Plated in Accordance with SAE-AMS-2422



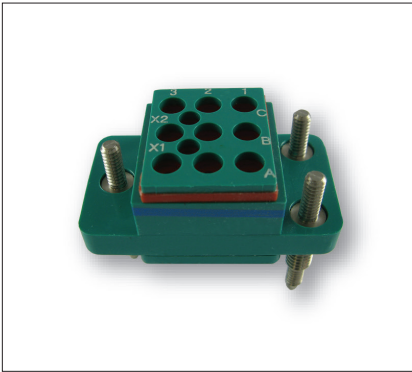
Mates with M83536, M6106 Relays

Dimensions



LOW PROFILE RELAY SOCKETS									
MIL P/N M12883	APCD P/N	Mounting Stud	QTY	Size ¹	Contact P/N	Config.	Mating Relay	Weight	
								Pounds	Grams
/45-01	RSE120159	Fixed	8	20/20	/101-553	A	M83536/1-006, -015, -024, -033 M83536/2-006, -015, -024, -035	.033	15
/45-02	RSE120161	Fixed	8	20/20	/101-553	B			
/45-03	RSE120163	Fixed	8	20/20	/101-553	C			

1. Mating End/Wire Barrel



Mates with M6106/38 Relays

Operating Range

Temperature: -65°C to 125°C

Insulation Resistance: 1000 Megaohms Min.

Dielectric Withstanding Voltage: 1000 VRMS at Sea Level 500 VRMS at 80,000 ft.

Vibration: MIL-STD-202, Method 204 Test Condition G

Shock: MIL-STD-202, Method 213 Test Condition C

Materials

Socket Body: Polyetherimide per ASTM-D5205

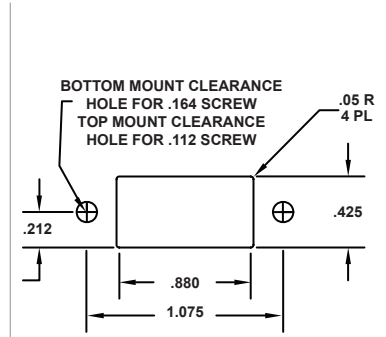
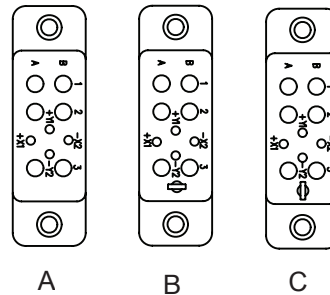
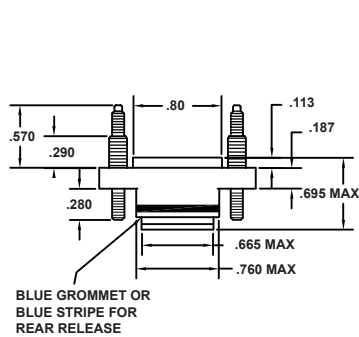
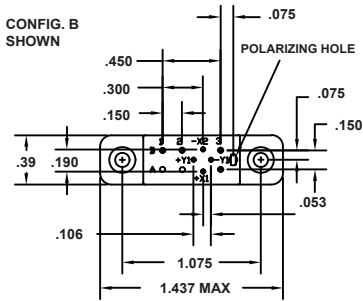
Grommet: Silicone Rubber per A-A-59588

Hardware: Stainless Steel or Steel w/Cadmium Chromate Finish

Contact Retainers: Stainless Steel

Socket Contacts: Stainless Steel, Hard Gold Plated in Accordance with SAE-AMS-2422

Dimensions



LOW PROFILE RELAY SOCKETS								Weight					
MIL P/N M12883	APCD P/N	Mounting Stud	QTY	Size ¹	Contact P/N	Config.	Mating Relay	Pounds	Grams				
/45-04	RSE120165	Fixed	6	20/20	/101-553	A	M6106/38-002	.033	15				
			4	20/20	/101-552								
/45-05	RSE120167	Fixed	6	20/20	/101-553	B				.033	15		
			4	20/20	/101-552								
/45-06	RSE120169	Fixed	6	20/20	/101-553	C						.033	15
			4	20/20	/101-552								

1. Mating End/Wire Barrel